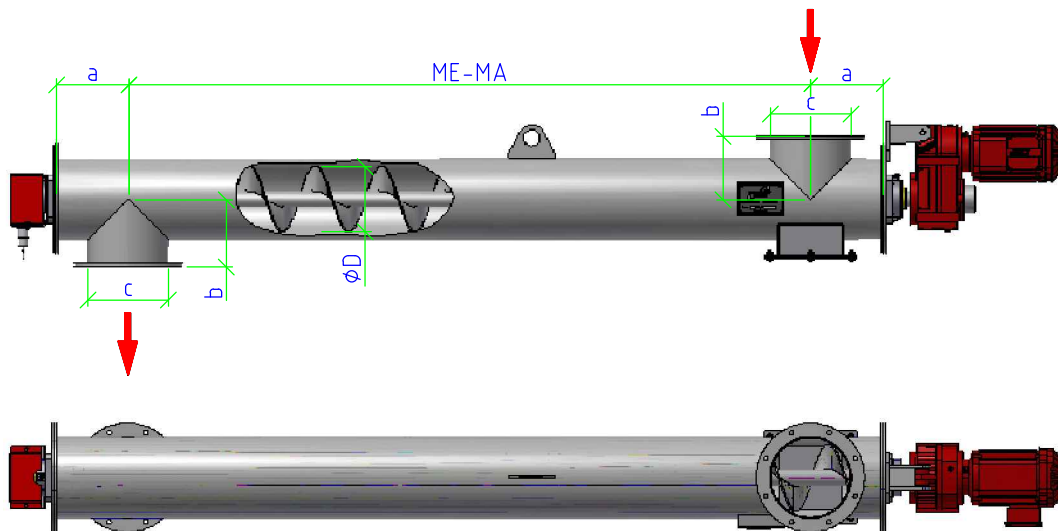


tubular feed screws

D mm	conveyor capacity m ³ /h	a mm	b mm	c mm	d mm	e mm	f mm
125	8	160	130	161	205	241	14
160	14	200	150	195	239	275	14
200	25	220	170	247	291	327	14
240	43	260	190	275	335	375	14
315	70	320	230	358	418	458	14
400	120	360	280	460	520	560	14
500	200	400	330	561	631	681	18

special dimensions on request / subject to change without notice



drive-in/ -out flange

